

Whatever the height,
Cmax[®] surgical table
covers ALL surgeons' needs

Cmax[®]

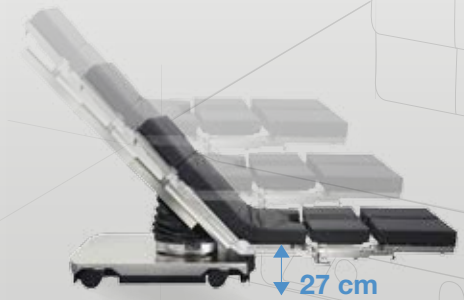
Surgical table



110



58



27



Outstanding features

Low Position



Flexibility for patient positioning specifically in bariatric MIS

Long sliding



Imaging access

The STERIS effortless powered transfer



Comfort and security for medical staff

A Versatile product



Adaptable to the majority of surgical specialties

Smart Handcontrol



Ergonomic, intuitive and with bluetooth

A new back up system



Continued reliability

Extra flat base

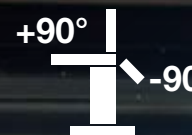
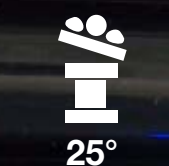
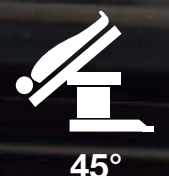
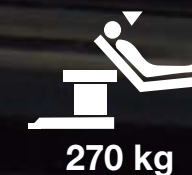
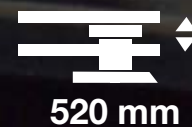


Optimise surgeon access
Easy to clean

Large range of accessories



Answer surgeons' needs



© 2018 STERIS SAS - M218EN, 2018-08, Rev A - CMAX® - sell sheet. All rights reserved. Specifications are given for information only; STERIS reserves the right to change them without notice. Photos are not contractual. Thanks to Siemens Healthcare for the loan of equipment. Photos credit: Kreaphoto. The CMAX® surgical tables are a Class I CE Marked medical device. To use this equipment safely, carefully read the instructions in the user manual and on the labelling.

