

EVERYTHING YOU NEED... | Easymax
Surgical Table



STERIS, A MAJOR HEALTHCARE PLAYER



STERIS SAS
Le Haillan (Bordeaux)



With 14,000 employees worldwide, **STERIS** is a major player in the healthcare sector. As a partner of more than 25,000 customers in over 80 countries, **STERIS** is involved in every aspect of the operating theatre, offering a wide-ranging product line: operating tables, surgical lighting, distribution arms, and integration systems.

STERIS also supplies technologies that contribute to preventing infections via **STERIS IPT** (Infection Prevention Technology): washers, disinfection units, sterilisers, and consumables.

CLINICAL VERSATILITY - TECHNICAL EXCELLENCE - INNOVATION



Easymax CONVENTIONAL MOTORISED SURGICAL TABLE

- **Maximum performance for a minimal investment.**
- **Excellent mobility and ergonomically designed base.**

- **Flexibility and versatility** of the multi-section table top, ensures convenient patient positioning to address the requirements of all surgical specialities.

- **Offers patient comfort and safety with a con.**

STERIS



SAFETY - EFFICIENCY - SIMPLICITY



[1]



[2]



[3]



[4]



[5]



[6]



[7]



EFFORTLESS ARTICULATION OF THE HINGED BACK REST [6]
offers an excellent sitting position that is achieved via hinge controls located on both sides. Retractable and removable handles optimise access for the surgical team.

Quick and easy **LOCKING AND UNLOCKING** [1] of the extensions.

[1]

MOULDED WATERPROOF SEALED BELLOW [2] protects against infiltration of body fluids and decontamination agents.

[2]

Surface treated **STAINLESS STEEL** table top structure and column.

MODULAR REVERSIBLE (2/3 - 1/3) KIDNEY ELEVATOR [7] integrated into the table top back rest: ideal for cardiac surgery and nephrectomy procedures. partial carbon fibre construction ensures **TOTAL RADIOLUCENCE** for C-arms or other radiological equipment. The kidney elevator is height adjustable to 120 mm on table top both sides via a crank.



[7]



RANGE OF MEMOLINE MOULDED OR WELDED SEAM CUSHIONS

EXCEPTIONAL MOBILITY [3]
4 large double swivel castors assure excellent manoeuvrability in all directions, even with the patient on the table.

EXCELLENT STABILITY
floor locking via 4 electro-hydraulic powered floor locks.

ADDITIONAL SAFETY [4]
offered by an **VERRIDE SYSTEM PANEL** providing emergency table operating controls outside the surgical field.

INTELLI-POWER [5]
• 2 independent power supply modes: batteries or mains
• Battery charger with charge indicator & 2 sealed batteries are integrated in the base.

HIGHLY ACCESSIBLE
The compact base maximises foot room for the surgical team.

[5]

SHOCK RESISTANT BASE COVER

OUTSTANDING LOW POSITION



OUTSTANDING LOW POSITION
with a height range starting from 600 mm increasing to 900 mm, the Easymax table is flexible enough to meet the requirements of new surgical techniques, including minimally invasive surgery.

EXCELLENT WEIGHT CAPACITY PERFORMANCE UP TO 500 KG
(with patient centred over the column) - **270 kg all positions** described in the user manual.

RADIOLUCENT X-RAY WINDOW
for the radiological controls during surgery.

LOCKING DEVICE FOR SPECIALTY HEAD REST
integrated in the table top for convenience.



SIMPLICITY AND EFFICIENCY AT HAND

- **Durable, lightweight and easy to use hand control** with ergonomic shape featuring easy-to-read hand control pictograms.

Battery discharge level status

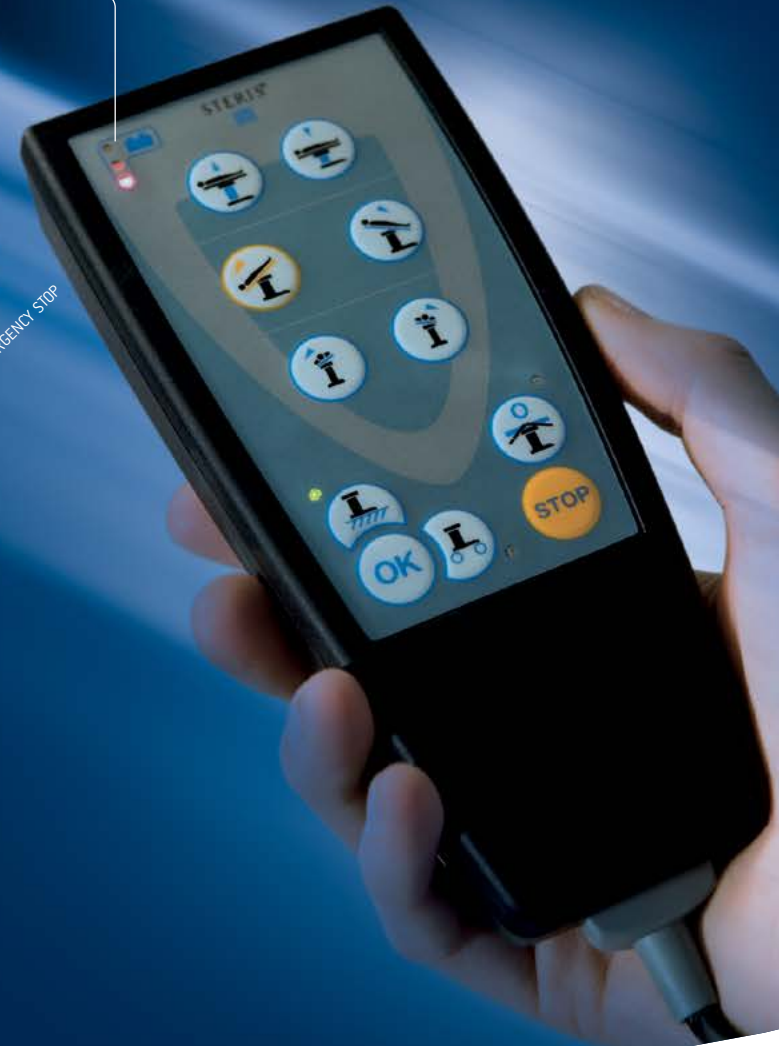


TABLE LOCK / UNLOCK CONFIRMATION

Up

Down

TREND

REVERSE TREND

LEFT TILT

RIGHT TILT

TABLE LOCK TO THE FLOOR

TABLE UNLOCK

RETURN TO LEVEL

STOP EMERGENCY STOP

OK

STOP



Optional foot control

CLINICAL VERSATILITY FOR ALL SURGICAL DISCIPLINES



< CARDIAC AND THORACIC SURGERY
Added surgical site exposure is achieved with the 1/3 - 2/3 configuration of the reversible, fully radiolucent kidney elevator integrated in the table top back rest.



< GENERAL SURGERY
Dorsal position for general surgery procedures.



MINIMALLY INVASIVE SURGERY >
Using split leg sections provides excellent surgeon access during a range of surgical procedures.





< GYNAECOLOGICAL SURGERY
Lithotomy position using Goepel leg supports and, for anaesthesia and recovery periods, a convenient, easy to detach and lightweight transfer board is available.



< BARIATRIC SURGERY
Superior weight capacity performance of the Easymax table optimises surgeon access during bariatric and abdominal surgery.



UROLOGY - NEPHRECTOMY
Patient positioning in lateral position for nephrectomy position using the reversible, fully radiolucent kidney elevator for convenient surgical positioning. 2/3 - 1/3 configuration of the kidney elevator integrated in the table top back rest.



NEUROSURGERY
With the patient in sitting position, the Easymax table offers unrestricted, comfortable access for the surgical team.



HEAD AND NECK SURGERY
Semi recumbent position for head and neck surgery.



< OPHTHALMOLOGY
The versatile low positioning of Easymax offers convenient surgical site access and total surgeon comfort during microscope use.



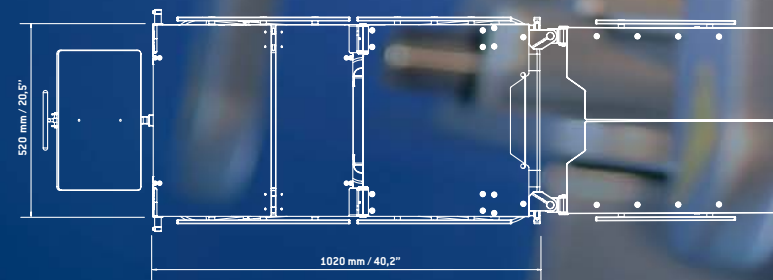
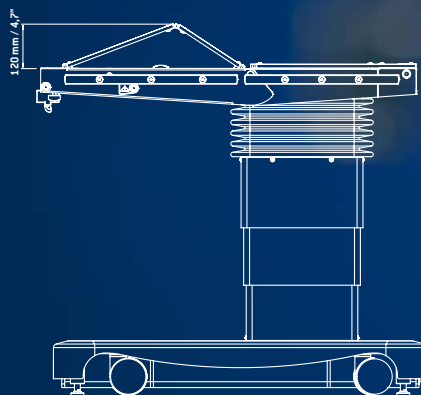
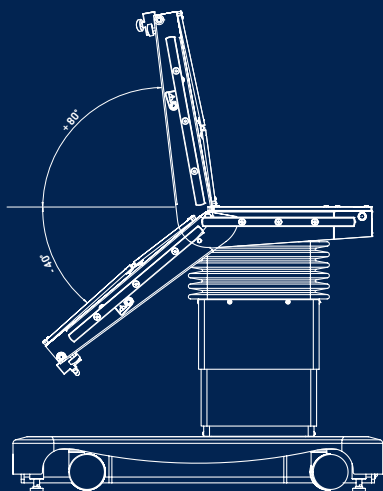
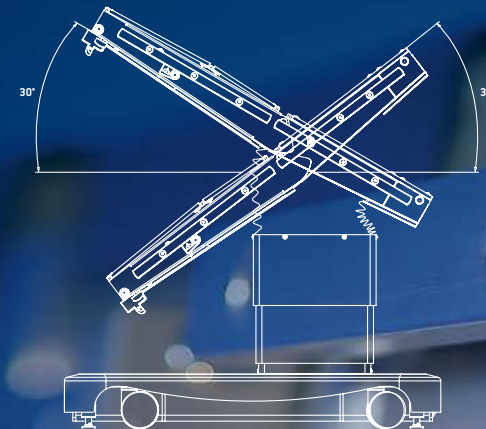
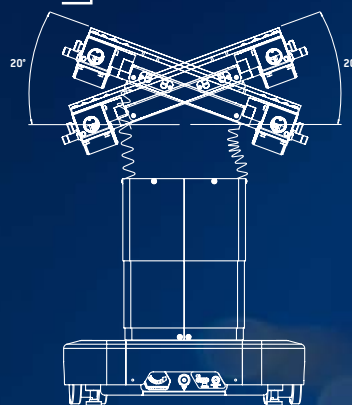
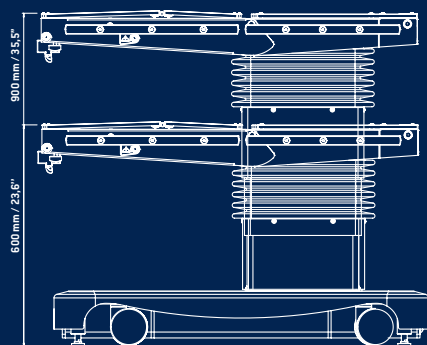
< KNEE ARTHOSCOPY
Using the knee arthroscopy holder provides comfort and safety for the patient and clearance from the base for better surgeon access.



> ARM AND HAND SURGERY >
Using dedicated arm and hand surgery support offers a stable operating field that meets the surgeon's needs.



TECHNICAL FEATURES



• STANDARD ACCESSORIES RECOMMENDED:

- Flexible anaesthesia screen (TAB 005)
- Simple armboard (TAB 410)
- Quenu splint (TAB 270)
- Devon strap (large width) (TAB 213)
- Basic clamp for rails (25x10 mm and 30x8 mm) x 4 units (TAB 420)
- Pair of Goepel leg supports (TAB 376)
- Notched clamp for rails (25x10 mm and 30x8 mm) x 2 units (TAB 233)

| | |
|---------------------------------------|--|
| Height adjustment (without mattress) | 600 mm / 23.6" - 900 mm / 35.5" |
| Table top length (without extension) | 1 020 mm - 40.2" |
| Trendelenburg / Reverse Trendelenburg | 30° / 30° |
| Right / Left tilt | 20° / 20° |
| Back rest articulation | -40° / +80° |
| Kidney bridge height | 120 mm / 4,7" |
| Patient weight capacity | 270 kg all positions described in the user manual 500 kg with the patient centred over the column |

The Easymax™ table is a Class I CE Marked medical device. To use this equipment safely, carefully read the instructions in the user manual and on the labelling.

STERIS, THE GUARANTEE OF QUALITY SERVICE

«LISTENING TO CUSTOMERS AND PROVIDING COMPLETE SATISFACTION»

- **Product quality warranty:**

STERIS provides a warranty against any defects in materials or the manufacture of the surgical table as per the defined contractual terms.

- **Quality Technical Assistance:**

Your requests are assessed individually so that STERIS can deliver a customised solution that meets your needs. When technical assistance is required at your hospital site, a STERIS network authorised engineer will work in the hospital to provide you with an efficient and timely resolution.

- **Service Contracts:**

STERIS and STERIS Local dealers offer various options of preventive maintenance tailored to your needs and your budget constraints, with the aim of improving the product availability level and ensuring better expenditure controls.

- **An authorised technical training centre:**

STERIS provides an authorised technical training centre to help ensure your staff are fully trained in the operation of their STERIS equipment.





STERIS OFFICES WORLDWIDE

| | | | |
|---------|---------------------|---------------|-------------------|
| Belgium | + 32 3 304 95 44 | Italy | + 39 02 213 034 1 |
| Canada | + 905 677 0863 | Latin America | + 55 11 3372 9499 |
| China | + 86 10 5900 3786 | Malaysia | + 60 3 7954 9822 |
| France | + 33 5 56 93 94 94 | Russia | + 7 499 737 7733 |
| Germany | + 49 221 4661 20 30 | Singapore | + 65 68 41 7677 |
| India | + 91 33 2367 5150 | Spain | + 34 91 658 5920 |

STERIS



STERIS SAS

116 Avenue Magudas
33185 Le Haillan - France
Phone: + 33 (0)5 56 93 94 94
Fax: + 33 (0)5 56 93 94 95
E-mail: contact_hc@steris.com
www.steris-healthcare.com
www.steris-accessories.com

STERIS plc

5960 Heisley Road - Mentor,
OH 44060-1834 - USA
Phone: + 1 440-354-2600
Fax: + 1 440-639-4457
www.steris.com