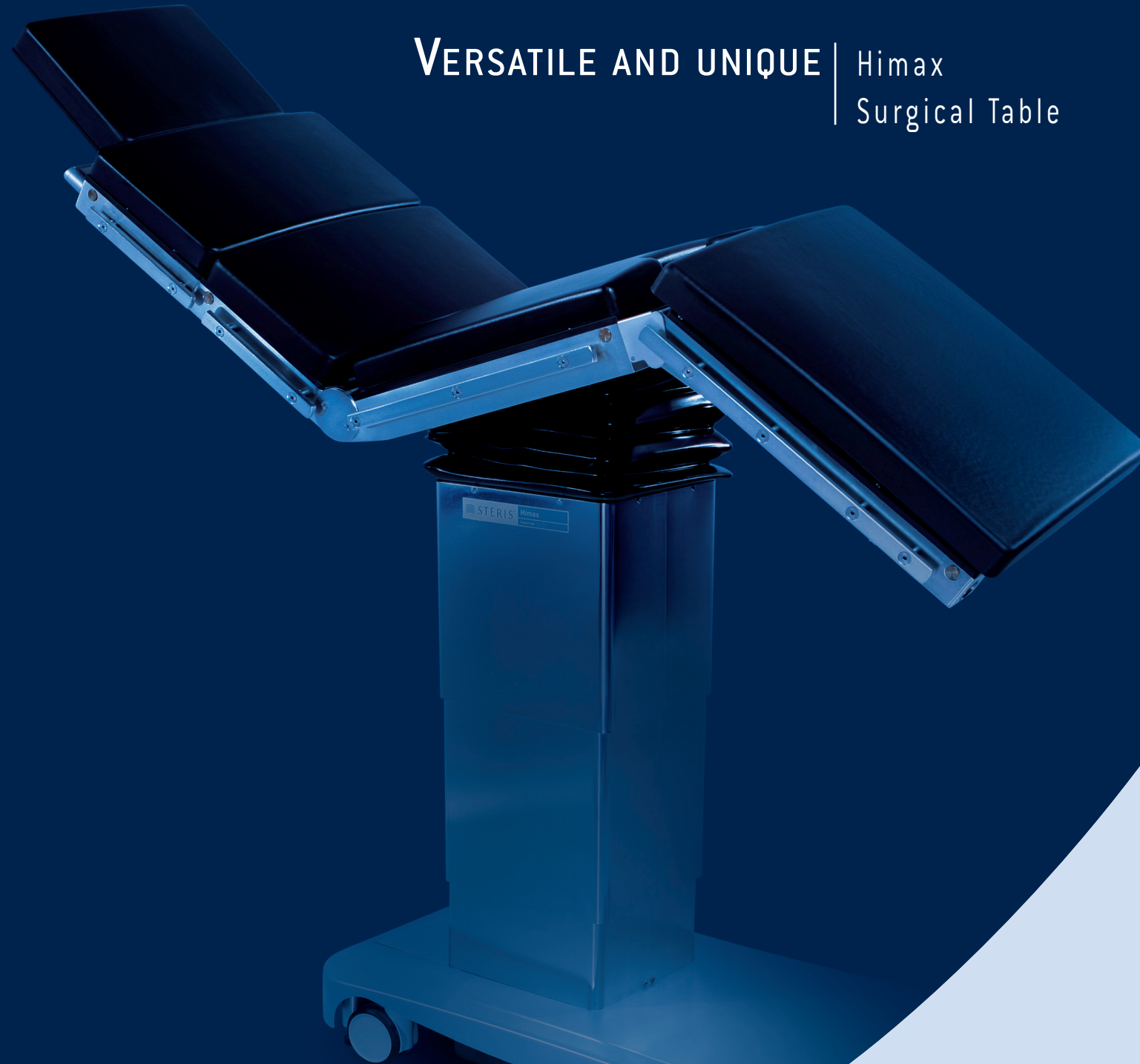


VERSATILE AND UNIQUE | Himax
Surgical Table



HIMAXSB-1072008



U.S.A. Canada Germany Belgium Spain Finland France Italy United Kingdom Switzerland India China Japan
Costa Rica Brazil Africa Middle-East Malaysia Singapore Australia

STERIS Corporation
MENTOR

• STERIS Corporation, with more than 5,200 employees working in 24 sites across the world and with annual revenue of 1.1 bn \$US, is a global leader in the supply of operating

theatre equipment, including sterilization and decontamination equipment, surgical tables, surgical lighting and visualisation systems, pendants and surgical stretchers.

STERIS, A MAJOR HEALTHCARE PLAYER

CLINICAL VERSATILITY - TECHNICAL EXCELLENCE - INNOVATION

- **STERIS Surgical Technologies:** Our European headquarters for operating theatre equipment in Orleans, France, is home to key Departments including Product Development, Marketing, Manufacturing, Sales, Service and Administration.



[4] HIMAX, VERSATILE AND UNIQUE

[5]

[6] SAFETY - EFFICIENCY - ERGONOMICS

[7]

[8] SIMPLICITY AND EFFICIENCY AT HAND

[9]

[10] POSITIONING BY SURGICAL SPECIALTIES

[17]

[18] TECHNICAL FEATURES

[19] STERIS, THE GUARANTEE OF
QUALITY SERVICE

STERIS Surgical Technologies
SARAN

STERIS®



HIMAX, VERSATILE AND UNIQUE...

HIMAX MOTORISED SURGICAL TABLE

- Based on customer feedback and market knowledge, STERIS has developed the Himax operating table - A new dimension in surgical tables for the surgeon and patient.
- Ergonomically designed compact base makes Himax easy to move.
- Comfort for the patient without compromise for the surgical team.
- Reliable multi-section table top allows convenient patient positioning for a wide range of surgical procedures.





SAFETY - EFFICIENCY - ERGONOMICS



[1]



[2]



[3]



[4]



[5]



[6]



[7]



Quick and easy **LOCKING AND UNLOCKING** of the extensions.

[1]



Designed to allow **UNIMPEDED C-ARM ACCESS** during surgery.

SURFACE TREATED STAINLESS STEEL TABLE TOP AND COLUMN.

[3] **EXCEPTIONAL MOBILITY**

4 large double swivel castors assure excellent manoeuvrability in all directions, even with the patient on the table.

MOULDED WATERPROOF SEALED BELLOW protects against infiltration of body fluids and decontamination agents.

[2]

[5]

ADDITIONAL SAFETY

offered by an integrated **SYSTEM OVERRIDE PANEL** providing emergency table operating controls easily accessible outside the sterile surgical field.

[7]

SHOCK RESISTANT BASE COVER

A CHOICE OF MEMOLINE MOULDED OR WELDED SEAM CUSHIONS.

EXCELLENT STABILITY

Floor locking via 4 electro-hydraulic powered floor locks.

[4]

[6] **HIGHLY ACCESSIBLE**

The compact base maximises foot space for the surgical team.

TAKING ACCESS TO A NEW LEVEL TABLE ELEVATION UP TO 1 140 MM



1 140 MM



Maximum height: 1 140 mm,

Increased height to accommodate unrestricted access during surgery for the lower limbs and minimally invasive surgery.

OUTSTANDING PERFORMANCES:

HIMAX: A TABLE DESIGNED TO ACCOMMODATE THE LIGHTEST TO THE HEAVIEST SURGICAL PATIENT

500 KG (APPROXIMATELY 78.8 STONES)

with the patient centred over the column.

250 KG (APPROXIMATELY 42.5 STONES)

for all positions described in the user manual.



BACK REST ARTICULATION : +/-90°.



SIMPLICITY AND EFFICIENCY AT HAND

- Lightweight and easy to use hand control with ergonomic shape featuring easy-to-read hand control pictograms.

Battery discharge level status

TABLE LOCK / UNLOCK CONFIRMATION

Up

Down

BACK REST UP / LEG REST UP IF PATIENT IS REVERSED

BACK REST DOWN / LEG REST DOWN IF PATIENT IS REVERSED

TRENDELENBURG

REVERSE TRENDLENBURG

LEFT TILT

RIGHT TILT

PHYSIOLOGICAL FLEX

PHYSIOLOGICAL REFLEX

TABLE LOCK TO THE FLOOR

TABLE UNLOCK

RETURN TO LEVEL

STOP EMERGENCY STOP



• Optional foot control



TRAUMATOLOGY & ANTERIOR APPROACH TO TOTAL HIP ARTHROSCOPY

You expect the best products, performance and service back up and as a market leading provider of the theatre equipment, STERIS is proud to introduce a new range of orthopaedic extensions to use with our range of surgical tables.

STERIS is proud to introduce:

- A new back section dedicated for shoulder surgery.
- A new range of orthopaedic extensions for lower limbs surgery:
 - ORT 5000
 - ORT 8000
 - ORT 9000



ORT 8000 ORTHOPAEDIC TRACTION DEVICE

The HIMAX surgical table combined with the ORT 8000 orthopaedic traction device is designed to meet all your needs in the management of lower limb trauma surgery and minimally invasive surgical techniques.

- The innovative design of the telescopic bars offer you the most versatile solution for patients of all shapes and sizes whilst ensuring unimpeded access for the surgical team.

ORT 8000, the Ideal Solution to meet your needs in:

- Trauma surgery
- Anterior approach to total hip arthroscopy

Orthopaedic and Trauma Surgery

ORTHOPAEDIC SURGERY OF LOWER LIMBS >



< FEMORAL TRACTION WITH ORT 8000 TRACTION DEVICE



The carbon fibre pelvic support frame offers total transparency of the area being imaged.

TIBIAL TRACTION IN DORSAL POSITION >

THE ORT 5000 ORTHOPAEDIC TRACTION DEVICE is a reliable, high quality product that will meet your technical and financial needs.



A repositionable pelvic support ensures access to the area to be operated on as well as all around access.



Orthopaedic and Trauma Surgery

ORTHOPAEDIC SURGERY OF UPPER LIMBS >



SHOULDER ARTHROSCOPY >

Using a motorised back section ensures safe patient positioning and providing unrestricted access for the surgical team.

SHOULDER ARTHROSCOPY >

Lateral decubitus position with traction device for shoulder arthroscopy.



SPINE SURGERY

Knee-chest position for vertebral column surgery procedures. The articulated motorised section offers safe patient positioning.



Vascular Surgery

VASCULAR SURGERY OF UPPER LIMBS >



VASCULAR SURGERY OF LOWER LIMBS >



Using a carbon fibre extension optimising x-ray field for vascular surgery.

Endoscopy and Laparoscopic Procedures

Using split leg sections provides maximum surgeon access for laparoscopic procedures.



PERFECT POSITIONING

For bariatric surgery by using the motorised pelvic section.



HIMAX: TABLE DESIGNED TO ACCOMODATE THE LIGHTEST TO THE HEAVIEST SURGICAL PATIENT. 500 KG (Approx. 78.8 STONES)

With patient centred over the column.

270 KG (Approx. 42.5 STONES)

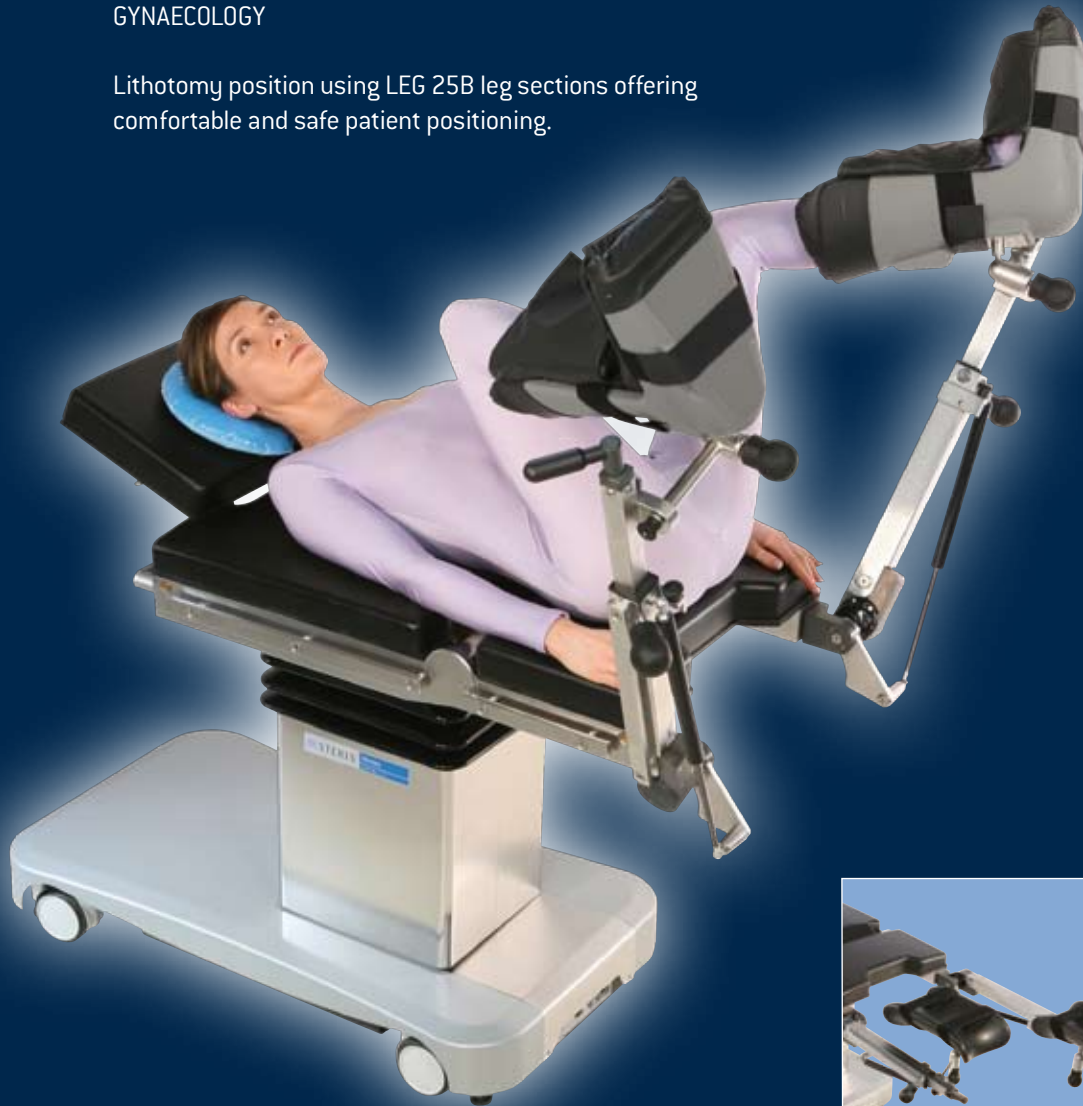
For all positions described in the user manual.



Gynaecology & Urology

GYNAECOLOGY

Lithotomy position using LEG 25B leg sections offering comfortable and safe patient positioning.



LEG 25B « ALL IN ONE » LEG SECTIONS

- Easy and accurate patient positioning. The gas assisted leg sections help to lighten the load when positioning the patient.
- Hygiene and safety: A positioning handle is located at the top of the leg giving access outside the sterile field.
- Flexible design: adjustable length of the leg section.

The LEG 25B leg sections are available in several configurations: With leg supports, Goepel supports or boots.



^ Configuration with leg plates



^ Configuration with leg supports and Goepel supports



^ Configuration with Goepel supports ^



^ Configuration with boots

Configuration with LEG 20B leg sections offering comfortable and safe patient positioning.



Urology

Lateral decubitus positioning with a break for nephrectomy procedures.



Neurosurgery

NEUROSURGERY IN SITTING POSITION >

Offering excellent access to the surgical team. The motorised functions of the multi-section table top optimise safe and comfortable patient positioning.



NEUROSURGERY IN VENTRAL DECUBITUS POSITION

Using horse shoe headrest and a traction system for craniotomy or cervical column procedures.

Reconstructive Surgery

SEMI-RECUMBENT
positioning for upper limbs surgery.



Ophthalmology - Head Surgery

OPHTHALMOLOGY >

Himax offers convenient surgical site access and total surgeon comfort during microscope use.

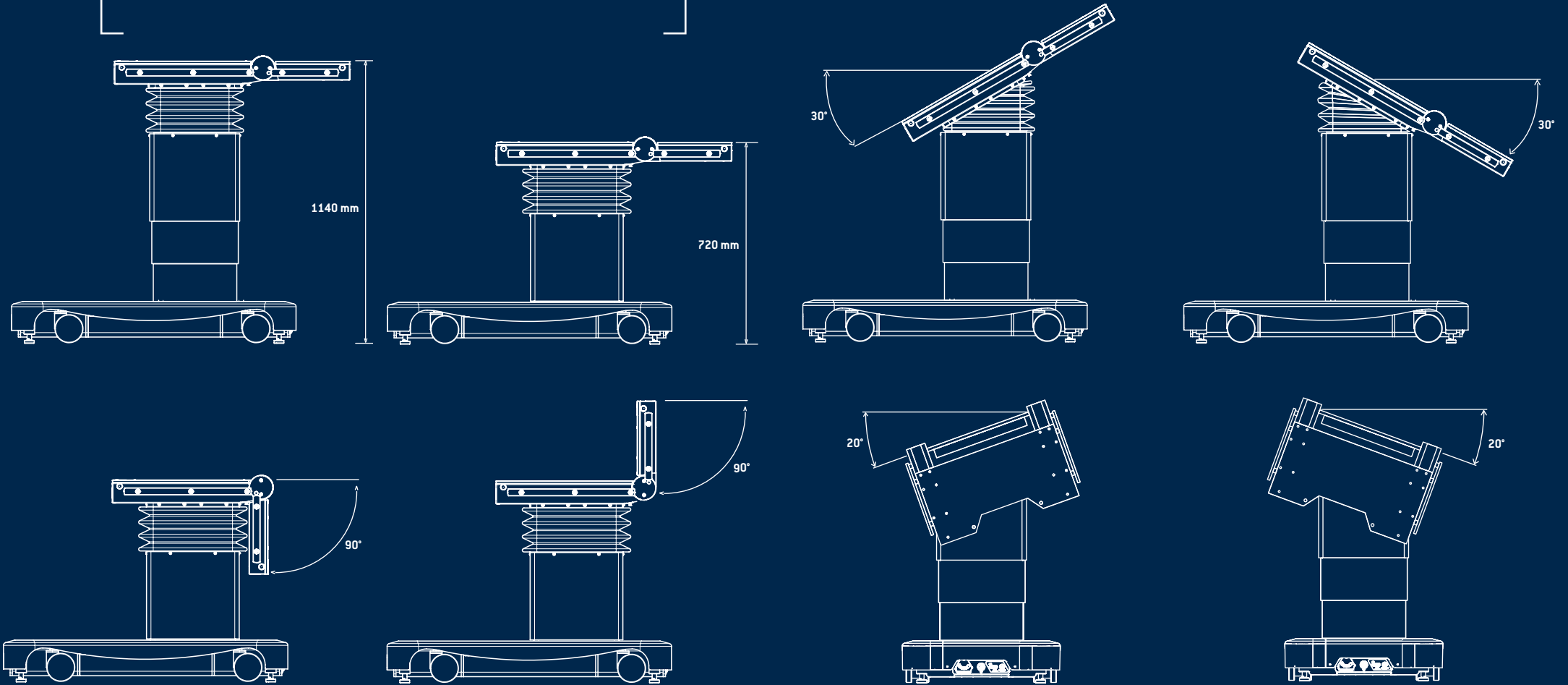


HEAD SURGERY >

In decubitus dorsal positioning.



TECHNICAL FEATURES



Height (without cushion)	720 – 1 140 mm
Table top length (without extension)	840,5 mm [2 024 mm with 1 head rest, 1 back section and 1 leg section]
Trendelenburg / Reverse Trendelenburg	30° / 30°
Right / Left lateral tilt	20° / 20°
Back rest articulation* <small>* relating to patient orientation in normal position</small>	+90° / -90°
Patient weight capacity	500 kg / 78.8 stones with patient centred over the column. 270 kg / 42.5 stones for all positions described in the user manual.

STERIS, THE GUARANTEE OF QUALITY SERVICE

« LISTENING TO CUSTOMERS AND PROVIDING COMPLETE SATISFACTION »

- **Product quality guarantee:** STERIS provides a warranty against any defects in the manufacture of the surgical table as per the defined contractual terms.

- **Quality technical assistance:** Your requests are assessed individually so that STERIS can deliver a customised solution to meet your needs. When technical assistance is required at your hospital site, a STERIS authorised engineer will work in the hospital to provide you with an efficient and timely resolution.

- **Service Contracts:** STERIS and STERIS local dealers offer various options of preventive maintenance tailored to your needs and your expenditure levels, with the aim of improving the products availability level and ensuring better budgetary controls.

- **STERIS provides an authorised technical training centre to help ensure your staff are fully trained in the operation and maintenance of your STERIS equipment.**





Conception : TTVF - Photos : TTV - All rights reserved. STERIS specifications are given for reference only and are subject to change without any previous notice. Pictures are not contractual.
 HIMAX-GB-10/2008

STERIS®



STERIS OFFICES WORLDWIDE

Benelux	+32 2 523 2488	Japan	+81 3 5777 1580
Canada	800 661 3937	Korea	+82 2 517 1517
China	+86 21 6137 1166	Latin America	800 884 9550
France	+33 2 38 74 54 00	Malaysia	+6 03 7954 9822
Germany	+49 2203 890 6969	Singapore	+65 68 41 7677
Greece	+30 210 6800848	Spain	+34 91 658 5920
India	+91 33 2327 5150	Switzerland	+41 32 376 0200
Italy	+39 022 130 341	United Kingdom	+44 1256 840400

STERIS Corporation

5960 Heisley Road - Mentor, OH 44060-1834 - USA
 +1 440-354-2600

European Headquarters:

STERIS Surgical Technologies

645 rue des Châtaigniers - Bât. 405/B2 - 45774 Saran Cedex
 France
 Tel. +33 (0)2 38 74 54 00 - Fax +33 (0)2 38 74 54 01
 Email : contact_sst@steris.com
www.steris.com - www.steris-st.fr

STERIS Ltd.

STERIS House
 Jays Close
 Viables
 Basingstoke
 HAMPSHIRE RG22 4AX
 United Kingdom
 Phone: +44-1256-840400
 Fax: +44-1256-866502





Conception : TTVF - Photos : TTV - All rights reserved. STERIS specifications are given for reference only and are subject to change without any previous notice. Pictures are not contractual. HIMAX-GB-10/2008

STERIS®



STERIS OFFICES WORLDWIDE

Benelux	+32 2 523 2488	Japan	+81 3 5777 1580
Canada	800 661 3937	Korea	+82 2 517 1517
China	+86 21 6137 1166	Latin America	800 884 9550
France	+33 2 38 74 54 00	Malaysia	+6 03 7954 9822
Germany	+49 2203 890 6969	Singapore	+65 68 41 7677
Greece	+30 210 6800848	Spain	+34 91 658 5920
India	+91 33 2327 5150	Switzerland	+41 32 376 0200
Italy	+39 022 130 341	United Kingdom	+44 1256 840400

STERIS Corporation
5960 Heisley Road - Mentor, OH 44060-1834 - USA
+1 440-354-2600

European Headquarters:
STERIS Surgical Technologies
645 rue des Châtaigniers - Bât. 405/B2 - 45774 Saran Cedex
France
Tel. +33 (0)2 38 74 54 00 - Fax +33 (0)2 38 74 54 01
Email : contact_sst@steris.com
www.steris.com - www.steris-st.fr

STERIS Ltd.
STERIS House
Jays Close
Viables
Basingstoke
HAMPSHIRE RG22 4AX
United Kingdom
Phone: +44-1256-840400
Fax: +44-1256-866502

