

# SafMed

## Surgical Table Accessories 2020



# SafMed

Your solutions partner for **30 YEARS**

We specialise in providing solutions and products that improve the productivity and effectiveness in the CSSD, Operating Theatre & Endoscopy Unit. From expert advice on new theatre or CSSD designs to providing the latest digital operating theatre and instrument tracking technology, we have the products and experience to offer meaningful value to our customers.



Process Improvement



Track, Trace & Asset Management



Digital Theatre Systems



CSSD & Operating Theatre Design Advice



Online & Classroom Based Education



Sterility Assurance



Decontamination



Customized Service Programs

**Gauteng, Mpumalanga,  
Limpopo & North West**  
Tel: 011 201 4300

**Kwa-Zulu Natal**  
Tel: 082 464 3832

**Western & Eastern Cape**  
Tel: 021 763 3280

**Free State & Northern Cape**  
Tel: 082 686 8075

E-mail: [info@safmed.co.za](mailto:info@safmed.co.za)  
Website: [www.safmed.co.za](http://www.safmed.co.za)  
[www.facebook.com/Safmed.SA/](http://www.facebook.com/Safmed.SA/)  
Twitter: @SafMedSA

# SafMed

## SURGICAL SOLUTIONS

SafMed has been providing surgical solutions to the South African hospital market for more than 10 years. We provide advice and expertise driven by international standards and trends in order to assist our customers with their needs in the operating theatre. We specialise in STERIS general and specialty surgical tables, STERIS surgical and examination lights, STERIS equipment columns and supply heads and STERIS digital theatre integration solutions.



 **STERIS**<sup>®</sup>

Gauteng, Mpumalanga,  
Limpopo & North West  
Tel: 011 201 4300

Kwa-Zulu Natal  
Tel: 082 464 3832

Western & Eastern Cape  
Tel: 021 763 3280

Free State & Northern Cape  
Tel: 082 686 8075

E-mail: [info@safmed.co.za](mailto:info@safmed.co.za)  
Website: [www.safmed.co.za](http://www.safmed.co.za)  
[www.facebook.com/Safmed.SA/](https://www.facebook.com/Safmed.SA/)  
Twitter: @SafMedSA

# CONTENTS

1.

Clamps

2.

Arm Boards &  
Hand Tables

4.

Leg Support  
Gynaecology,  
Urology and  
General Surgery

5.

Straps

5.

Anaesthesia

6.

Miscellaneous

7.

Urology

9.

Orthopaedic

14.

Neuro/Spinal


**ATTENTION:** Always consult your representative to ensure that you purchase the correct accessory. As tables can be manufactured in either European or American factories, it is important to note that you inform your representative of which table you are enquiring about, to ensure 100% compatibility.


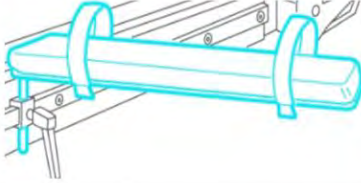

## CLAMPS

|  |  |  |   |
|--|--|--|---|
|  | <p><b>Automatic notched clamp for square rod (20 mm)</b></p> <p>This sturdy clamp is designed to fit onto rails 25 x 10 mm and accommodates items with square rods or bars</p> <p>Is compatible with:<br/>STERIS Easymax, STERIS Himax,<br/>STERIS CMAX3</p> <p>Reorder number: TAB742 (each) (SST)</p>  |  | <p><b>Clark Sockets (Pair)</b></p> <p>Ideal for mounting accessories anywhere along table siderail. These sockets provide angular control and positive locking. For securing accessories with round posts. Easily removable</p> <p>Compatible with:<br/>Most theatre tables, not just STERIS</p> <p>Reorder number: BF08-300 (pair) (AMSCO)</p> |
|  | <p><b>Rotary self-locking clamp for accessories with Ø 16, Ø 18 and Ø 20mm rods</b></p> <p>This self-locking, sturdy clamp is designed to fit onto rails 25 x 10 mm and accommodates items with round rods or bars.</p> <p>Is compatible with:<br/>STERIS Easymax, STERIS Himax,<br/>STERIS CMAX3</p> <p>Reorder number: TAB741 (pair) (SST)</p> |  | <p><b>Standard automatic clamp for Ø 16 mm</b></p> <p>This automatic clamp accommodates Rods (w/wo plane) and Flat rods 6 x 26 mm. It fits onto rails 25 x 10 mm &amp; 30 x 8 mm.</p> <p>Is compatible with<br/>STERIS Easymax, STERIS CMAX3</p> <p>Reorder number: TAB740B (each) (SST)</p>  |
|  | <p><b>Rail clamp</b></p> <p>STERIS clamp that is designed to support and mount accessories with flat, rectangular, bar posts<br/>Designed for STERIS Power-Lift Stirrups</p> <p>Is compatible with:<br/>Power-Lift Stirrups</p> <p>Reorder number:<br/>AMSCO : BF46-200 (pair) (AMSCO)</p> <p>SST: V686900139</p>                                |  | <p><b>V-clamp</b></p> <p>Clamp suitable for square bars</p> <p>Is compatible with:<br/>STERIS 4085</p> <p>Reorder number: V549397988</p>  |





## ARM BOARDS and HAND TABLES

|  |   |  |   |
|--|---|--|---|
|   | <p><b>Anaesthesia Arm board with 51 mm Pad</b></p> <p>This <b>radiolucent</b>, carbon fibre arm board is easily attached and removed from surgical table siderail. Durable construction eliminates damage when dropped. Moulded carbon fibre allows for easy cleanability. Supplied with a 762-mm Velcro® arm restraint strap.</p> <p>Is compatible with<br/>STERIS 4085</p> <p>Reorder number: BF80-300 (AMSCO)<br/>Clamp included</p>   |   | <p><b>Multi-posture Arm board with 51 mm Pad</b></p> <p>This arm board attaches to the table siderail with a Clark socket. Mounted on a ball joint for positioning flexibility. Provides upper arm support during lateral positioning, as well as general arm support during prone, supine, sitting, positioning. Supplied with a 381-mm Velcro® arm restraint strap.</p> <p>Is compatible with<br/>STERIS 4085, STERIS CMAX3, STERIS Himax</p> <p>Reorder number: BF43-200 (each) (AMSCO)<br/>Clamp <b>not</b> included</p> <p>Required extra's<br/>SST Clamp Tab740B<br/>SST Clamp Tab741<br/>AMSCO Clamp BF08-300 (pair)</p> |
|  | <p><b>Adult Arm and Hand Table Surgery</b></p> <p>This <b>radiolucent</b>, carbon fibre arm board provides support for orthopaedic and vascular surgical procedures.</p> <p><b>Dimensions:</b><br/>Width: 280 mm<br/>Length: 825 mm<br/>Weight: 2.3 kg</p> <p>Is compatible with:<br/>STERIS Easymax, STERIS Himax, STERIS CMAX3, STERIS 4085</p> <p>Reorder number: BF43-500<br/>Note: clamps <b>not</b> included</p> <p>Required extra's<br/>AMSCO Clamp BF08-300 (pair)<br/>SST Clamp Tab741 x 2</p> |  | <p><b>Table for Arm and Hand Surgery</b></p> <p>This <b>radiolucent</b>, carbon fibre hand and arm table has two legs. It has a safe working load of 20 kg. It works with two leg supports on the outer edge. The cushion can be purchased separately.</p> <p><b>Dimensions:</b><br/>Height: 720 – 1150 mm<br/>Width: 525 mm x Length: 525 mm<br/>Weight: 5.6kg</p> <p>Compatible with<br/>STERIS Easymax, STERIS Himax, STERIS CMAX3</p> <p>Reorder number: TAB260CF (each)<br/>Clamps included</p> <p>Optional extra's<br/>Spare cushion: TAB260CU</p>  |

|   |  |   |  |
|---|--|---|--|
|  | <p><b>Arm board Lateral and Height Adjustable</b></p> <p>This arm board is laterally and height-adjustable via ball and socket joint</p> <p>Is compatible with:<br/>STERIS Easymax, STERIS Himax, STERIS CMAX3</p> <p>Reorder number: TAB071F (each)<br/>Clamp included</p>  |  | <p><b>Simple Arm Board SST</b></p> <p>This is an easy to use arm board, the dimensions are: 560 mm x 120 mm x 170 mm</p> <p>Is compatible with:<br/>STERIS Easymax, STERIS Himax, STERIS CMAX3</p> <p>Reorder number: TAB410 (each)<br/>Note: clamp <b>not</b> included</p> <p>Required extra's<br/>SST Clamp Tab740B<br/>SST Clamp Tab741</p> |
|  | <p><b>Single Thickness Table</b></p> <p>This single thickness arm and hand table is designed with a single leg support.</p> <p><b>Dimensions:</b><br/>Width: 300 mm x Length: 650 mm</p> <p>Is compatible with:<br/>STERIS Easymax, STERIS Himax, STERIS CMAX3</p> <p>Reorder number: TAB346B<br/>Note: clamp <b>not</b> included</p> <p>Required extra's<br/>SST Clamp TAB740B x 2<br/>SST Clamp TAB741 x 2</p> |   |  |

## LEG SUPPORT (GYNAECOLOGY, UROLOGY and GENERAL SURGERY)

|   |  |   |  |
|---|--|---|--|
|  | <p><b>Compensated Leg Supports (Pair)</b></p> <p>This easy to use pair of compensated leg supports have a <b>maximum patient weight capacity of 159 kg</b></p> <p>Is compatible with:<br/>STERIS Easymax, STERIS Himax, STERIS CMAX3, STERIS 4085</p> <p>Reorder number: <i>LEGGYN (Pair)</i><br/><i>Clamps included</i></p> <p>Optional extra's<br/>Spare cushion: V386900034<br/>STERIS 4085 Clamp: BF46-200 x 2</p> |  | <p><b>Single Leg Supports / Goepel (Pair)</b></p> <p>These leg supports are designed for Urology or Gynaecology<br/>And attach with clamps that can accommodate a 16 mm rod</p> <p>Is compatible with:<br/>STERIS Easymax, STERIS Himax, STERIS CMAX3, STERIS 4085</p> <p>Reorder number: <i>TAB376A</i><br/><i>Clamps not included</i></p> <p>Required extra's<br/>SST Clamp: Tab741 x 2 or<br/>STERIS 4085 Clamp BF08-300 (pair)</p> |
|  | <p><b>Power-lift Storage Cart</b></p> <p>This cart provides stable, lightweight, portable storage for your surgical stirrups, table clamps and other leg holder accessories</p> <p>Is compatible with:<br/>Compensated Leg Supports (<i>LEGGYN</i>)</p> <p>Reorder number: <i>BF46-000</i><br/><i>Accessories not included</i></p>   |  | <p><b>Lithotomy poles Universal</b></p> <p>A contoured leg support with integral, moulded padding for patient comfort. The contoured support is mounted on a ball joint for versatile positioning including full rotation and tilt.</p> <p>Is compatible with:<br/>All tables</p> <p>Reorder number: <i>BF26-600 (each)</i><br/><i>Clamps not included</i></p> <p>Optional extra's<br/>STERIS 4085 Clamp BF08-300 (pair)</p>           |



## STRAPS



### Strap Devon

This radio translucent strap wraps around the patient and tabletop. Fits all size patients with Velcro® securement

#### Dimensions

800 x 100mm = 950 x 100mm

Is compatible with:  
All tables

Reorder number: TAB213



### Patient Restraint Strap

This patient strap is designed with quick-release buckles on both ends for easy, positive adjustment. It has extra-wide webbing, is soil-resistant, washable, and electrically conductive.

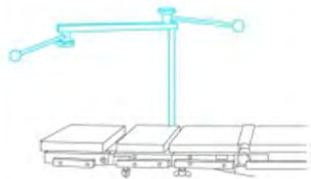
#### Dimensions

Standard Length, 168cm

Is compatible with:  
All tables

Reorder number: BF45-000

## ANAESTHESIA



### Anaesthesia Screen Rigid

Simple to use rigid anaesthesia screen.

Is compatible with:  
All tables

Reorder number: TAB234

Note: clamp **not** included

Required extra's  
SST Clamp: TAB233  
SST Clamp TAB740



### Anaesthesia Screen Rigid

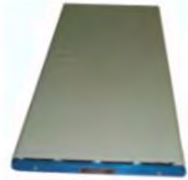
Supports surgical drape. Mounted on a ball joint for positioning flexibility. Screen is height adjustable and locks or releases with a half-turn of control knob. Includes Clark Socket for mounting to table siderail.

Is compatible with:  
STERIS 4085

Reorder number: BF074

Clamp included

MISCELLANEOUS



**Roller Transfer Board**

Effortless transfer from bed to OR table  
Ball bearing aluminium Rollers

**Dimensions**

Medium: 762 mm x 355.6 mm

*Reorder number:*

*Medium: DSC-RB3014*



**Table Mattress / Cushion / Pads**

This table mattress has pressure management properties, it is radiolucent with ultrasonic seam welded thus fluid resistant.

The material is hypoallergenic material and latex free.  
This multi-layered mattress is 50 mm thick.

*Reorder number: Contact your representative to discuss*



**Gel Pads**

Blue Diamond Gel® pads are:  
Made from viscoelastic polymer, are reusable and assist in reducing pressure during procedures

These gel pads are designed to reduce sheer and friction.

*Reorder number: Contact your representative to discuss*

## UROLOGY

|  |  |  |  |
|--|--|--|--|
|  | <p><b>Transfer Board (Urology)</b></p> <p>This time saving, handy transfer board supports patient's legs during transfer to table. It is recommended for leg support only.</p> <p><b>Dimensions:</b><br/>Length: 1028 mm<br/>Width: 495mm</p> <p>Is compatible with:<br/>STERIS Himax, STERIS CMAX3</p> <p>Reorder number: <i>LEG05B</i></p> |  | <p><b>Simple back/Seat extension with Uro cut</b></p> <p>Adding this extension enable ease of access when doing urological procedures.</p> <p><b>Dimensions:</b><br/>Length: 265 mm<br/>Width: 540 mm</p> <p>Is compatible with:<br/>STERIS Himax, STERIS CMAX3</p> <p>Reorder number: <i>BACK02B</i><br/>Required extra's<br/>Cushion: <i>Welded seam B002W</i></p> |
|  | <p><b>Patient Transfer Board with 51mm pad</b></p> <p>This accessory supports the patient's legs during transfer to table prior to positioning in lithotomy. It is recommended for leg support only. It inserts into the 9-inch Urology Extension</p> <p>Is compatible with<br/>STERIS 4085</p> <p>Reorder number: <i>BF588</i></p>          |  | <p><b>9-inch Urology Extension</b></p> <p>This lightweight and radiolucent unit attaches to the seat section of table. It has American rails mounted on the sides.</p> <p>Is compatible with<br/>STERIS 4085</p> <p>Reorder number: <i>BF57-8</i></p>  |
|  | <p><b>Urology Catcher Bags</b></p> <p>Pack of 10 bags with use for BF457 – <i>non sterile</i></p> <p>Compatible with<br/>STERIS Himax, STERIS CMAX3</p> <p>Reorder number: <i>BF45-900 Non – sterile</i></p>   |  | <p><b>Uro Pan</b></p> <p>Used to catch fluid during urology procedures. Alternative is the Urology Catcher Bags – single use</p> <p><b>Dimensions:</b><br/>Length: 319 mm<br/>Width: 267 mm</p> <p>Compatible with<br/>STERIS Himax, STERIS CMAX3</p> <p>Reorder number: <i>100201571</i></p>  |



## **Flexible URO Band**

This urocatcher is equipped with low profile mount clamps which will not interfere with table sockets during positioning of leg holders.

Is compatible with:  
STERIS Himax, STERIS CMAX3, STERIS  
4085

Reorder number: *TAB721*  
*Clamp included*

*Required extra's*  
*Bags: BF45-900*

## ORTHOPAEDIC

**Orthopaedic Traction Surgery Kit - Adult**

The ORT 8000 orthopaedic extension multiplies the possibilities offered by your operating table.  
Accommodates all types of lower limb trauma surgery  
Enables anterior hip replacement surgery (minimally invasive)

**Includes**

Frame (ORT353D)  
Pelvic Support and Cushion (ORT013C)  
Split Legs Support (ORT600C)  
Split Legs Cushion (L60CV3)  
Off Set Counter Extension Bar and Cushion (ORT001C)  
Telescopic 2D Traction Bar (each) (ORT3469LR x 2)  
Tractor (each) (ORT348C x 2)  
Gel Pad (GEL016A)  
Boots Adult (Pair) (ORT014A)

Is compatible with  
STERIS Himax, STERIS CMAX3

Reorder number: ORT8000K2D (Kit)  
Optional extra's  
Cart for Storage (CAR02G)

**Orthopaedic Extension - Adult**

This table accessory serves as an ideal solution when current case load may not warrant a dedicated table, when budget restraints are a concern or when considering a supplemental or secondary fracture table.

The radiolucent carbon fibre abductor bars provide unobstructed imaging capabilities and versatile positioning of the patient's lower extremities.




The mobile stainless-steel accessory cart provides ample storage space for the accessories and also functions as a convenient platform for docking, undocking, and storing the abductor bars.

Orthopaedic Extension Carbon Fibre Abductor Bars  
Cart for Orthopaedic Extension (BF21-400)  
Patient Transfer Board with Pad  
Foot Traction Boots (BF720 x 2)  
Foot Traction Boots Support (Incl in BF720)  
Traction Unit Assembly  
L Shaped Traction Extension (BF00-030 x2)  
Traction Accessory Clamps (BF00-020 x 2)  
Perineal Post with Pad (BF00-065) Universal Leg Holder (BF26-600)  
Sacral Rest with Pad (BF00-066)  
Multi Posture Arm-boards (BF21-400 x 2)  
Anaesthesia arm board (BF80-300 x1)  
Clarke Socket (BF08-300 x1)

Is compatible with STERIS 4085





Reorder number: BF806  
Includes storage cart  
Required extra's  
Perineal Post Pads Box of 10 (NO-001)








|  |   |   |   |
|--|---|---|---|
|   | <p><b>Cart for storage and installation of Orthopaedic Traction Surgery Kit</b></p> <p>Keep your Orthopaedic Traction Surgery Kit in one place by using the storage cart</p> <p>Is compatible with<br/>ORT8000K2D</p> <p>Reorder number: CAR02G</p> |  | <p><b>Shoulder Table including Helmet Headrest</b></p> <p>This sturdy attachment is used for arthroscopic or open shoulder surgery.</p> <p><b>Includes</b><br/>         Back for Shoulder Surgery<br/>         Bar for Counter traction<br/>         Helmet Headrest (<i>HED010</i>)<br/>         Chin Strap Kit of 12 Single Use (<i>STRAPBACK</i>)</p> <p>Is compatible with<br/>         STERIS Himax, STERIS CMAX3</p> <p>Reorder number: <i>BAK05C</i><br/> <i>ORT514</i><br/> <i>HED010</i><br/> <i>STRAPBACK</i></p> |
|  | <p><b>Universal Footplates</b></p> <p>Pair of Universal Footplates 80mm cushions including UK/Euro clamps.</p> <p>Max patient weight 325kg</p> <p>Is compatible with<br/>         All Steris Tables</p> <p>Reorder number: TA0303159</p>            |   |   |

|   |  |   |  |
|---|--|---|--|
|    | <p><b>Simple Base for Body Support</b></p> <p>Simple support to assist lateral positions. Unit requires appropriate support pads and clamp</p> <p>Is compatible with<br/>STERIS Easymax, STERIS CMAX3, STERIS Himax</p> <p>Reorder number: TAB751<br/>Clamps and Pads <b>not</b> included<br/>Required extra's<br/>V Clamp V549397988</p>  |    | <p><b>Articulated Base for Body Support</b></p> <p>An articulated support for lateral positions<br/>Height adjustable and sliding<br/>Easy lock articulation<br/>Unit requires appropriate support pads</p> <p>Is compatible with<br/>STERIS Easymax, STERIS CMAX3, STERIS Himax</p> <p>Reorder number: TAB752<br/>Clamps and Pads <b>not</b> included<br/>Required extra's<br/>V Clamp V549397988</p> |
|    | <p><b>Rotating Sacral Support Pad</b></p> <p>A Rotating Sacral Support Pad to assist sacral support in lateral patient positioning</p> <p>Is compatible with<br/>STERIS Easymax, STERIS CMAX3, STERIS Himax</p> <p>Reorder number: TAB762<br/>Support Base <b>not</b> included<br/>Optional extra's<br/>Base support TAB512 or<br/>Articulated Base support TAB752</p>                     |    | <p><b>Pubis or Sternum Support Pad</b></p> <p>Square pubic or sternum support to assist in lateral patient positioning</p> <p>Is compatible with<br/>STERIS Easymax, STERIS CMAX3, STERIS Himax</p> <p>Reorder number: TAB763<br/>Support Base <b>not</b> included<br/>Optional extra's<br/>Base support TAB512 or<br/>Articulated Base support TAB752 or</p>  |
|  | <p><b>Cylindrical Rotating Support Pad</b></p> <p>Cylindrical rotating support used for patient positioning. Soft cover to prevent injury</p> <p>Is compatible with<br/>STERIS Easymax, STERIS CMAX3, STERIS Himax</p> <p>Reorder number: TAB761<br/>Support Base <b>not</b> included<br/>included<br/>Required extra's<br/>Base support TAB512 or<br/>Articulated Base support TAB752</p> |  | <p><b>Iliac Support Pad</b></p> <p>Angled Lateral Support to support the Iliac<br/>Dimensions are 85 mm x 85mm</p> <p>Is compatible with<br/>STERIS Easymax, STERIS CMAX3, STERIS Himax</p> <p>Reorder number: TAB764<br/>Support Base <b>not</b> included<br/>Required extra's<br/>Base support TAB512 or<br/>Articulated Base support TAB752</p>   |

|   |   |   |   |
|---|---|---|---|
|  | <p><b>Simple Lateral Support Pad</b></p> <p>Oblong Lateral Support<br/>Dimensions are 215 mm x 100 mm</p> <p>Is compatible with<br/>STERIS Easymax, STERIS CMAX3,<br/>STERIS Himax</p> <p>Reorder number: <i>TAB765</i><br/>Support <b>not</b> included</p> <p>Required extra's<br/>Base support <i>TAB512</i> or<br/>Articulated Base support <i>TAB752</i> or</p> |  | <p><b>Simple Lateral Support Pad</b></p> <p>Oblong Lateral Support<br/>Dimensions are 170 mm x 120 mm</p> <p>Is compatible with<br/>STERIS Easymax, STERIS CMAX3,<br/>STERIS Himax</p> <p>Reorder number: <i>TAB766</i><br/>Support <b>not</b> included</p> <p>Required extra's<br/>Base support <i>TAB512</i> or<br/>Articulated Base support <i>TAB752</i> or</p>   |
|  | <p><b>Arthroscopy Knee Immobiliser</b></p> <p>This arthroscopy knee immobiliser is designed for European rails</p> <p>Is compatible with<br/>STERIS Easymax, STERIS CMAX3,<br/>STERIS Himax</p> <p>Reorder number: <i>ORT502B</i><br/>Clamp included</p>  |  | <p><b>Deluxe Arthroscopic Leg Holder System</b></p> <p>Leg holder system for knee surgery. Holds legs up to 35" (89 cm) in circumference. Includes 3 disposable pads (<i>BF13</i>). The hinged upper brace accommodates patients while the structurally enhanced design enables the staff to apply pressure both medially and laterally.</p> <p>Patient weight capacity: 226 kg</p> <p>Reorder number: <i>BF71-700</i><br/>Clamp <b>not</b> included</p> <p>Required extra's<br/>Clamp<br/>Disposable Pad</p> |

|  |   |  |  |
|--|---|--|--|
|   | <p><b>Schureloc XPS Arm Positioner</b></p> <p>Provides rigid fixation of operative limb during shoulder surgery Enables unlimited range of motion for shoulder arthroscopy, rotator cuff and total shoulder replacement procedures Easily attaches to rail of any STERIS Surgical Table</p> <p>226kg patient weight capacity</p> <p><i>Reorder number: 800-0280-EU</i></p> <p><i>Required extra's</i><br/> <i>Schureloc Adaptor: 800-0280-EU</i><br/> <i>Schureloc Forearm Attachment: 800-0280-EU</i><br/> <i>Disposable sterile kit: 800-0281</i></p> |   | <p><b>Schureloc Adaptor</b></p> <p>Connector between Schureloc arm positioner and forearm attachment</p> <p><i>Reorder number: 790-0039</i></p>  |
|  | <p><b>Schureloc XPS Arm Disposable Sterile kit</b></p> <p>Disposable Sterile Kit needed when using the Schurelock Forearm attachment or XPS Positioner</p> <p><i>Reorder number: 800-0281</i></p>   |  | <p><b>Schureloc Forearm Attachment</b></p> <p>Connector between Schureloc arm positioner and forearm attachment</p> <p><i>Is compatible with</i><br/> <i>All makes of Table</i></p> <p><i>Reorder number: 790-0040</i><br/> <i>Required extra's</i><br/> <i>Disposable sterile kit: 800-0281</i></p> |

**NEURO /SPINAL**

|   |  |   |  |
|---|--|---|--|
|    | <p><b>Wilson frame</b></p> <p>Wilson frame for spine surgery, includes crank,</p> <p>Is compatible with<br/>All makes of Table</p> <p>Reorder number: Wilson702</p>  |  | <p><b>Doro® Multi-Purpose Skull Clamp</b></p> <p>The DORO® Multi-Purpose Skull Clamp is a mechanical support system which is used in head and neck surgery. This system allows the patient's head to be positioned and secured during the operation. It can be used for cranial fixation of the patient in diverse positions.</p> <p>Is compatible with<br/>ALL makes of Tables</p> <p>Reorder number: Contact your representative to discuss your operational needs</p> |
|    | <p><b>Head Rest Adaptor</b></p> <p>Standard headrest adapter for conversion of a table for Neuro Procedures</p> <p>Is compatible with</p> <p>STERIS HIMAX, STERIS CMAX3, STERIS 4085, STERIS 3085</p> <p>Reorder number: TAB732 (SST) OR<br/>Reorder number: BF18-500 (3085)<br/>Reorder number: BF17-173 (4085)</p> |  | <p><b>Narrow Head Rest</b></p> <p>Narrow headrest for Ophthalmology includes a 50 mm pad included</p> <p>Is compatible with<br/>STERIS HIMAX, STERIS CMAX3</p> <p>Reorder number: HEAD06B</p> <p>Optional Extra<br/>Wrist Rest TAB720</p>  |
|  | <p><b>Wrist rest for HEAD06B</b></p> <p>Support the surgeon's wrist during ophthalmology or cranial surgery</p> <p>Is compatible with<br/>STERIS HIMAX, STERIS CMAX3, Narrow Head Rest</p> <p>Reorder number: TAB720</p>   |   |  |



# ABOUT SafMed

- B-BBEE Level 1 Contributor
- ISO 13485 Accredited
- Member of SAMED
- Medical Device Licence Numbers:
  - Cape Town - 00000243MD (Manufacture/Distribute)
  - Johannesburg - 00000227MD (Manufacture/Distribute)
  - Cape Town - 0000680MD (Wholesale)
  - Johannesburg - 00000643MD (Wholesale)



Safmed.SA



SafMed



@SafMedSA



SafMed South Africa



www.safmed.co.za