

FOCUS ON THE ESSENTIAL

Superior imaging access

Designed to allow unimpeded C-arm access during surgery.



Configuration with carbon extensions

Extensive range of extensions compatible with CMAX® 3 surgical tables *



Quick and easy locking and unlocking of the extensions using H-lock system.



Moulded waterproof bellows protecting against ingress of body fluids and decontamination agents.



Optimal accessibility thanks to the compact base design maximising foot space for the surgical team.



Safety built in with an integrated system override panel.

Adapted control device

Standard hand control

Simple and ergonomic providing direct access to all movements.

Optional hand control with screen, memorised positions and Bluetooth.

Foot pedal



Patient comfort

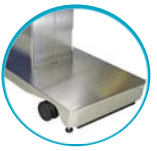
Multi-density foam mattresses available with hook-and-loop or SnapLINX™ fasteners. Easy to attach and clean, our cushions ensure comfort and safe positioning of the patient.



Surface treated stainless steel table top and column for easy cleaning and decontamination.



Excellent stability provided by the 4 electro-hydraulic powered floor locks (compensation of up to 4mm).



Impact resistant base cover.

(*): except ORT8000B

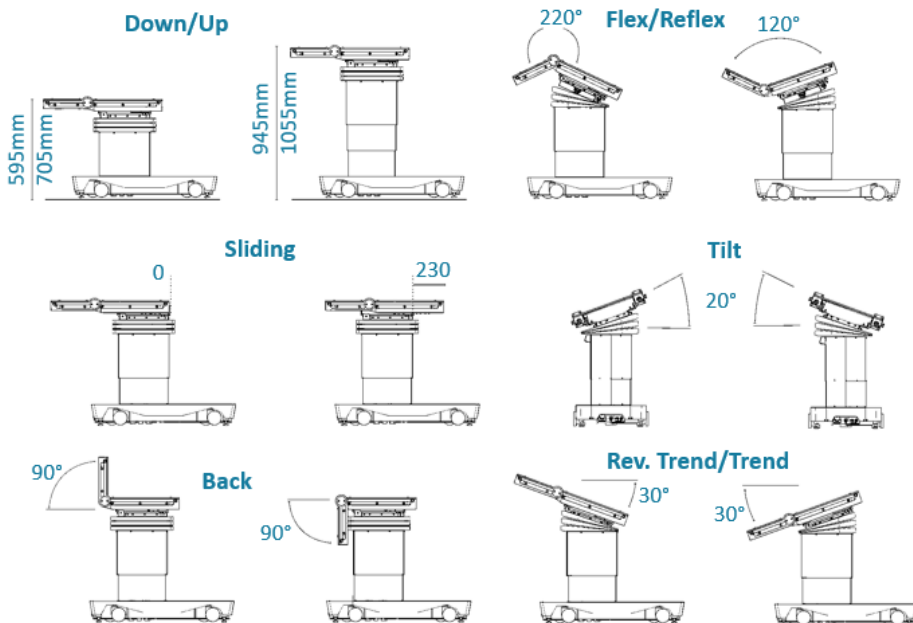
STERIS
KERNA™
 General Surgical Table

Mechanical characteristics

Table down / Table up	595mm / 945mm (versions LV and LSX) 705mm / 1055mm (versions HV and HSX)
Left tilt / Right tilt	20°/20°
Trend / Rev trend	30°/30°
Back up / Back down	90°/90°
Slide head / Slide foot	0mm / 230mm (stroke 230mm)
Flex / Reflex	- 220° / 120°
Tabletop length (without extensions)	840mm
Tabletop width	520mm (560mm including rails)
Off-load table weight	185kg
Maximum weight of patient + accessories	270kg
Maximum capacity up/down	300kg horizontal tabletop, centered
Floor clearance / wheel diam	16mm / 100mm



Movements possibilities (seat and half back section)



All your needs

Reference	KERNA™ surgical table model
KERNAHV	High version for Velcro cushions
KERNALV	Low version for Velcro cushions
KERNAHSX	High version for SnapLINX™ cushions
KERNALSX	Low version for SnapLINX™ cushions

STERIS SAS
 116 Avenue Magudas
 33185 Le Haillan (Bordeaux) - France
 Tel: + 33 (0)5 56 93 94 94
 Email: contact_hc@steris.com
www.steris-healthcare.com
www.steris-accessories.com

STERIS Corporation
 5960 Heisley Road - Mentor,
 OH 44060-1834 - USA
 Tel: + 1 440-354-2600
 Fax: + 1 440-639-4457
www.steris.com

ASIAN Headquarters
 STERIS SINGAPORE PTE LTD
 3 International Business Park
 #01-20 Nordic European Center
 Singapore 609927
 Tel: + 65 6841 7677 - Email: APCS@steris.com

STERIS OFFICES WORLDWIDE
 Belgium + 32 3 304 95 44
 Germany + 49 221 4661 20 30
 Italy + 39 02 213 034 1
 Latin America + 55 11 3372 9499
 Russia + 7 495 225 85 63
 Spain + 34 91 658 5920
 Switzerland + 41 (0) 32 376 02 00
 UK + 44 116 2740 600