

POSITIONED FOR SUCCESS



Advancing Care Through
Practical Innovation



STERIS® OT 1000 Series
Orthopedic Surgical Table

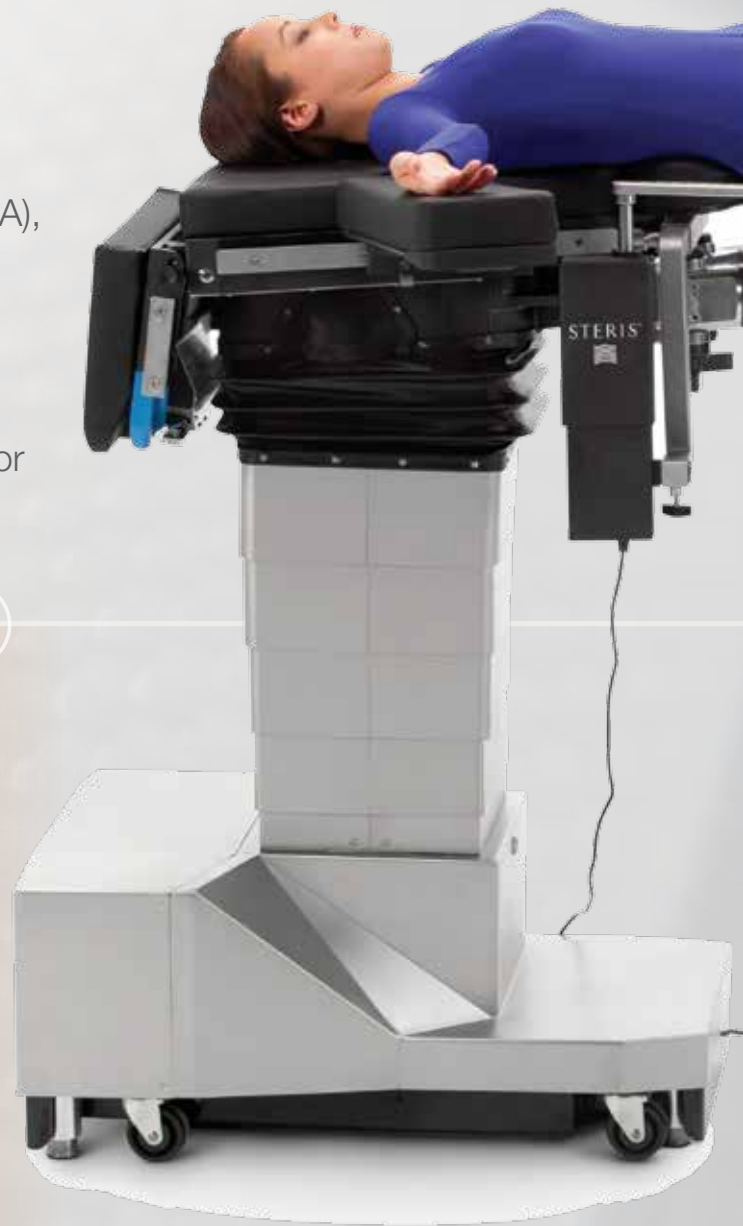
EXPERIENCE Fluid Motion



The **STERIS OT 1000 Series Orthopedic Surgical Table** offers superior control and access to the operative site.

The revolutionary SWAN technology provides virtually effortless movement of the anatomy for Anterior Approach Total Hip Arthroplasty (AATHA), fracture reduction and many other orthopedic procedures.

Intuitive and ergonomic controls are designed for both patient and staff safety.



Perform all of these common orthopedic procedures and more.

- Anterior Approach Total Hip Arthroplasty (AATHA)
- Hip Fracture
- Tibial Fracture
- Acetabular & Pelvic Fracture
- Femur Fracture
- Thoracic & Lumbar Spine
- Hip Arthroscopy & Resurfacing



Effortless Movement

SWAN TECHNOLOGY is our proprietary mechanism for simple, weightless articulation. This buoyant system enables one person to have control of the slide, traction and rotation of the boot with one hand and fluid movement of the leg spar with the other. It allows for complete focus on the patient, and a full range of motion without interference from the equipment.



BENEFITS

for Every Member of the Team



Anesthesiologists



Surgeons



OR Nurses



Articulating Head Section

Lower the head section for improved access to the patient's airway.

Data-Rich Hand Control

Illuminated for easy viewing with LEDs to highlight key buttons such as floor lock, lateral slide, femur connection and level all. Touch pad includes floor lock activation for easy patient positioning (Trendelenburg, height, tilt, level and stop), lateral slide and femur control.



Lateral Slide

Translate the tabletop through the hand control or button on the side of the table.

Dual Position Sacral Rest

Improve imaging area with unobstructed views and facilitate positioning requirements for a range of patients.



Drive Wheel

Enables a single user to easily maneuver the table throughout the perioperative area for improved room turnover time and case setups.

Spar Accessory Clamp

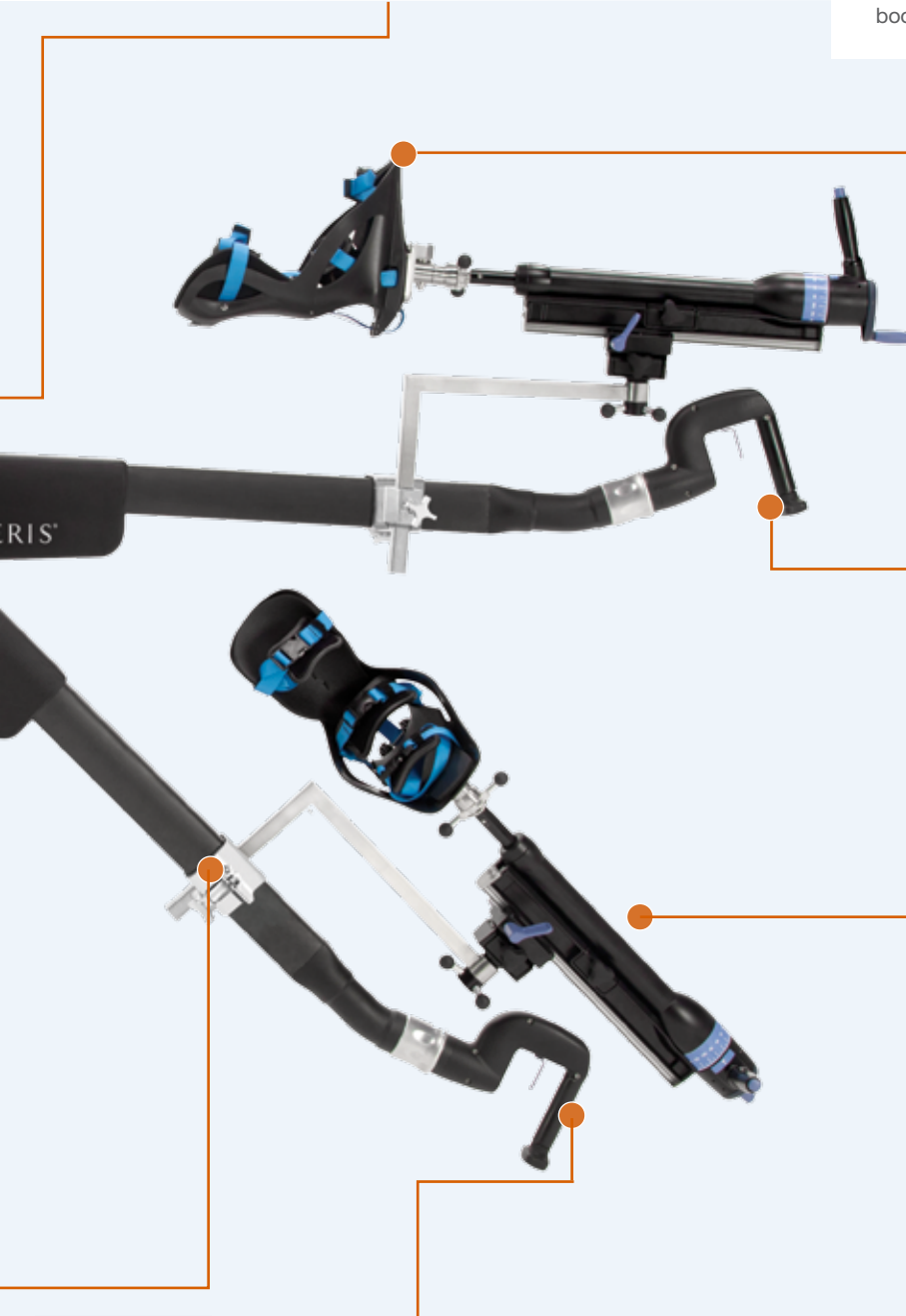
Adjusts along the entire spar to accommodate a broader range of patients.

Femur Lift Adjustments (AATHA package)

The femur hook adjusts in 30-degree increments along the rail for optimum angles. The femur elevator offers six inches of vertical adjustment, and can be activated by either the hand or foot control, and can be attached on either side of the table.

Innovative Traction Boot

The open boot design provides sustained traction during the procedure for a range of foot sizes. A conveniently located ratchet provides quick, secure positioning with additional heel strap support. The quick release enables easy removal of the patient's foot from the boot, and a one-pin lock makes the boot easy to attach and remove from the traction device.



SWAN Technology

Abduction, adduction and other full movements of the anatomy are easily achieved with this equipment-neutral, buoyant system.



Spar Controls

Safety lock engages immediately upon release. Adjust the controls to suit left- or right-handed users.

Full Traction Slide and Rotation

Experience the versatility of full gross and fine traction positioning at any time. When combined with internal and external rotation, it provides almost limitless positioning options, to create the optimum vantage point for surgeons, all with the confidence of two hands.



DESIGNED

to Increase Productivity

Precise patient positioning for access at every point.

Whether an AATHA, a fracture reduction or an arthroplasty is scheduled, position the patient with repeatable accuracy.

Accommodate a wide range of patients - from pediatric to adults 7 feet tall. The superior clinician control and simple patient airway access puts every OR professional where they need to be.



Simple, weightless articulation



Increase OR Versatility

With its quick, effortless maneuverability, the STERIS OT 1000 Series Orthopedic Surgical Table simplifies staff workdays. The innovative drive function allows a single user to quickly move the table from room to room, to ease room-scheduling challenges and ease case loads.



Optimize Imaging

Easily capture a full range of images from mid-abdomen to distal lower extremities. Enjoy clear C-arm positioning access for supine, prone and lateral positions. A free-floating clamp improves positioning for unrestricted imaging angles.

The flexible second joint makes it easier to position the spar out of the imaging area and the carbon fiber radiolucent spars minimize interference. The lateral translation that shifts patients away from the core table further improves patient access and imaging results.



Improve Safety

From the ergonomic advantages of SWAN technology to the safety features of the quick release mechanism on the boot, headrest and lateral slide, the STERIS OT 1000 Series Orthopedic Surgical Table is designed for safety.

The integrated safety lock protects patients from unintended movements as the spars automatically stop when the button and/or lever are released. The buoyant spar also enables clinicians to feel only the patient's weight and resistance, minimizing the weight of the table equipment.

User-friendly features abound. For example, the spar handles can be adjusted to any specification — left, right, or up and down — to improve access and comfort. Similarly, our easy-grip handles and unique drive system make transporting the table safer than ever.*



Technical Specifications

| Feature | STERIS OT 1000 Series Orthopedic Surgical Table |
|---|---|
| Weight Capacity | 500 lb |
| *Drive Wheel | Yes |
| Table Height*** | 31" to 48" |
| Lateral Tabletop Slide | 4" to each side |
| Lateral Tilt Range Degree | 15° |
| Trend/Reverse Trend Range Degree | 15° |
| Dual Position Sacral Rest | 3" extension |
| **Anterior Approach Total Hip Arthroplasty (AATHA) | Yes |
| C-Fiber Spars | Yes |
| Degree of Adduction | 90° |
| Degree of Abduction | 90° |
| Spar Degree Above Level | 20° |
| Spar Degree Below Level | 45° |
| SWAN Technology (spar controls and lift assist) | Yes |
| One Hand Slide, Traction, Rotation Control | Yes |
| One Hand Spar Articulation (with automatic spar lock) | Yes |
| Compact Storage | 5' x 2' (approximate size) |

* DRIVE WHEEL: Easily transport the table between rooms with only one staff member. Standard with the OT 1100 and OT 1200 tables; package sold separately to upgrade the OT 1000 table. Not for patient transport.

** Innovative and ergonomic accessories designed for the AATHA approach. Obtain precise positioning throughout the procedure with the femur hook, rail, extension and lift capabilities. Standard with the OT 1200 table; package sold separately to upgrade the OT 1000 and OT 1100 tables.

***Height restriction may apply. See Operator Manual for details.

For more information, contact your STERIS representative or visit www.steris.com.



STERIS Corporation
 5960 Heisley Road
 Mentor, OH 44060-1834 · USA
 800-548-4873
www.steris.com